

Chain Number	Pitch	Pin diameter	Pin length	Other dimensions				Ultimate Tensile Strength	Type
	P	D	L	A	B	C	E	Q	
X-228	2"	0.25"	1.14"	0.71"	0.37"	0.47"	0.31"	6000 lbs	X
	50.8mm	6.4mm	29mm	18mm	9.4mm	12mm	7.9mm	27 KN	

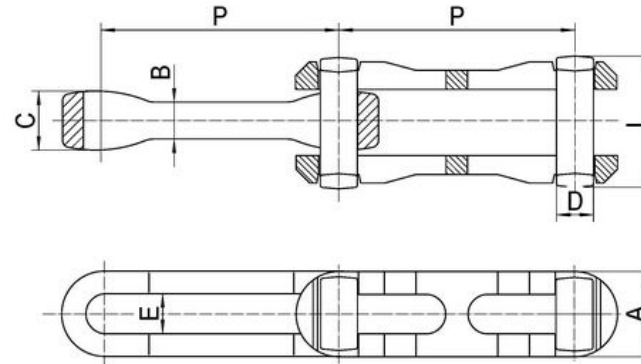
Hangzhou RuiMin Machinery Co.,Ltd.

Add:B308, No. 6 Building,East Software Park.310012,90 Wensan Road, Hangzhou China

Tel:+86.571.88368070 Fax:+86.571.88368090 Email:sales@china-conveyors.com



www.china-conveyors.com



Chain Number	Nominal pitch	Actual pitch	Pin diameter	Pin length	Other dimensions				Ultimate Tensile Strength	Type
					P	D	L	A		
400	4"	4.03"	0.63"	2.24"	1.42"	0.63"	1"	0.69"	47000 lbs	△
	101.6mm	102.4mm	16mm	57mm	36mm	16mm	25.4mm	17.5mm	210 KN	
458	4"	4.03"	0.63"	2.24"	1.42"	0.63"	1"	0.69"	47000 lbs	△
	101.6mm	102.4mm	16mm	57mm	36mm	16mm	25.4mm	17.5mm	210 KN	
468	4"	4.03"	0.75"	3.31"	1.88"	1.16"	1.63"	0.87"	69700 lbs	△
	101.6mm	102.4mm	19mm	84mm	47.8mm	29.5mm	41.3mm	22.2mm	310 KN	

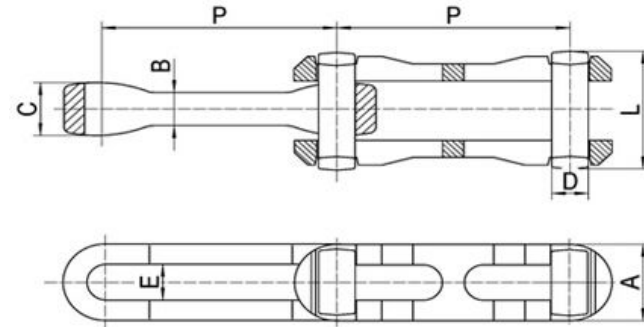
Hangzhou RuiMin Machinery Co.,Ltd.

Add:B308, No. 6 Building,East Software Park.310012,90 Wensan Road, Hangzhou China

Tel:+86.571.88368070 Fax:+86.571.88368090 Email:sales@china-conveyors.com



www.china-conveyors.com



Chain Number	Nominal pitch	Actual pitch	Pin diametre	Pin length	Other dimensions				Ultimate Tensile Strength	Type
	P	D	L	A	B	C	E	Q		
658	6"	6.03"	0.63"	2.24"	1.42"	0.63"	1.02"	0.69"	47000 lbs	△
	152.4mm	153.2mm	16mm	57mm	36mm	16mm	26mm	17.5mm	210 KN	
678	6"	6.03"	0.87"	3.03"	2"	0.83"	1.26"	0.98"	85000 lbs	△
	152.4mm	153.2mm	22mm	77mm	50.8mm	21mm	32mm	25mm	380 KN	
698	6"	6.03"	1.10"	3.74"	2.54"	1"	1.54"	1.26"	114000 lbs	△
	152.4mm	153.2mm	28mm	95mm	64.5mm	25.4mm	39mm	32mm	510 KN	

Hangzhou RuiMin Machinery Co.,Ltd.

Add:B308, No. 6 Building,East Software Park.310012,90 Wensan Road, Hangzhou China

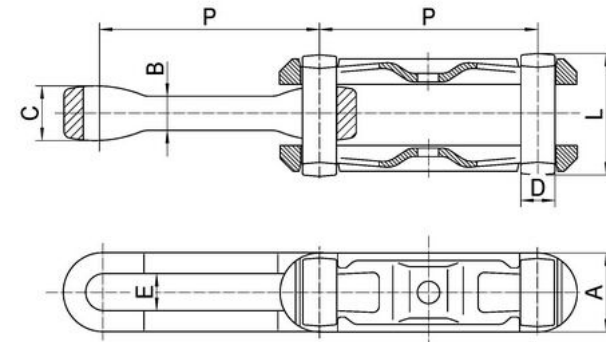
Tel:+86.571.88368070

Fax:+86.571.88368090

Email:sales@china-conveyors.com



www.china-conveyors.com



Chain Number	Nominal pitch	Actual pitch	Pin diametre	Pin length	Other dimensions				Ultimate Tensile Strength
					P	D	L	A	B
998	9"	9.03"	1.10"	3.74"	2.54"	1"	1.54"	1.26"	114000 lbs
	228.6mm	229.36mm	28mm	95mm	64.5mm	25.4mm	39mm	32mm	510 KN
9118	9"	9.03"	1.38"	4.38"	3.06"	1.31"	1.97"	1.5"	114000 lbs
	228.6mm	229.36mm	35mm	111.2mm	77.7mm	33.3mm	50mm	38.1mm	890 KN

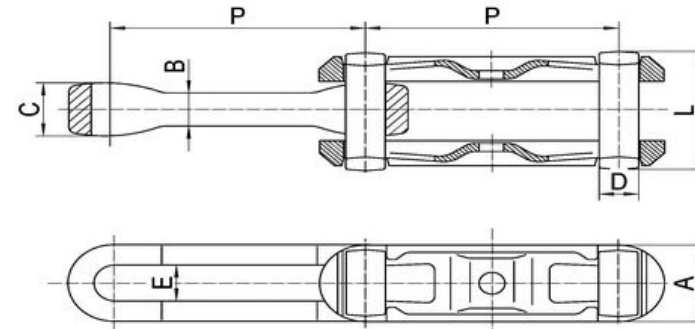
Hangzhou RuiMin Machinery Co.,Ltd.

Add:B308, No. 6 Building,East Software Park.310012,90 Wensan Road, Hangzhou China

Tel:+86.571.88368070 Fax:+86.571.88368090 Email:sales@china-conveyors.com



www.china-conveyors.com



Chain Number	Nominal pitch	Actual pitch	Pin diameter	Pin length	Other dimensions				Ultimate Tensile Strength	Type
	P		D	L	A	B	C	E	Q	
658	6"	6.03"	0.63"	2.24"	1.42"	0.63"	1.02"	0.69"	47000 lbs	△
	152.4mm	153.2mm	16mm	57mm	36mm	16mm	26mm	17.5mm	210 KN	
678	6"	6.03"	0.87"	3.03"	2"	0.83"	1.26"	0.98"	85000 lbs	△
	152.4mm	153.2mm	22mm	77mm	50.8mm	21mm	32mm	25mm	380 KN	
698	6"	6.03"	1.10"	3.74"	2.54"	1"	1.54"	1.26"	114000 lbs	△
	152.4mm	153.2mm	28mm	95mm	64.5mm	25.4mm	39mm	32mm	510 KN	

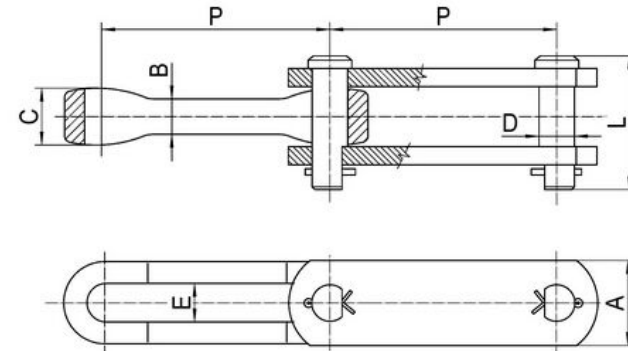
Hangzhou RuiMin Machinery Co.,Ltd.

Add:B308, No. 6 Building,East Software Park.310012,90 Wensan Road, Hangzhou China

Tel:+86.571.88368070 Fax:+86.571.88368090 Email:sales@china-conveyors.com



www.china-conveyors.com



Chain Number	Nominal pitch	Actual pitch	Pin diameter	Pin length	Other dimensions					Ultimate Tensile Strength	Type
					P	D	L	A	B		
658	6"	6.03"	0.63"	2.24"	1.42"	0.63"	1.02"	0.69"	47000 lbs	△	
	152.4mm	153.2mm	16mm	57mm	36mm	16mm	26mm	17.5mm	210 KN		
678	6"	6.03"	0.87"	3.03"	2"	0.83"	1.26"	0.98"	85000 lbs	△	
	152.4mm	153.2mm	22mm	77mm	50.8mm	21mm	32mm	25mm	380 KN		
698	6"	6.03"	1.10"	3.74"	2.54"	1"	1.54"	1.26"	114000 lbs	△	
	152.4mm	153.2mm	28mm	95mm	64.5mm	25.4mm	39mm	32mm	510 KN		

Hangzhou RuiMin Machinery Co.,Ltd.

Add:B308, No. 6 Building,East Software Park.310012,90 Wensan Road, Hangzhou China

Tel:+86.571.88368070 Fax:+86.571.88368090 Email:sales@china-conveyors.com



www.china-conveyors.com